



Enriching Lives



**KIRLOSKAR
SWING TYPE FOOT VALVES**

As per IS : 4038

KIRLOSKAR BROTHERS LIMITED

KIRLOSKAR

SWING TYPE FOOT VALVES

APPLICATIONS

Foot Valves are used in suction side of the pumps to avoid flow reversal from pump to the sump, in order to maintain pump priming. They also prevent entry of foreign body into pump through suction pipe. These valves are suitable for having clear water within the limits specified by IS: 4038.

SALIENT CONSTRUCTION FEATURES

Excellent design features.
Rigid and sturdy design with minimum loss of head across the valve.
Perfectly flat seating faces, for good sealing.
Long service life.

MATERIAL OF CONSTRUCTION

Housing, Seat, Strainer, Door, Strainer	: Cast Iron IS:210, Gr. FG 200
Door Plate	: Cast Iron IS:210, Gr. FG 200 / MS IS:2062, Gr. Fe 410 WA
Hinge Pin	: SS ASTM A 276, Type 410
Door Face	: Natural Rubber with reinforcement of cotton canvas

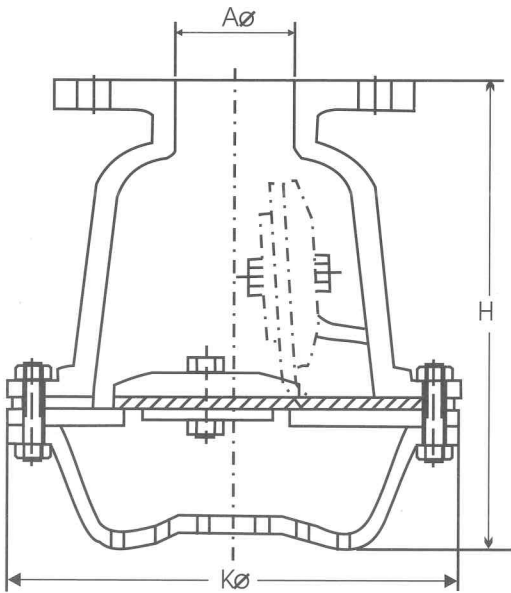
HYDROSTATIC TEST PRESSURES

Hydrostatic Test Pressure (Bar)		Test Duration
Housing	Seat	(Minutes)
6	2	2

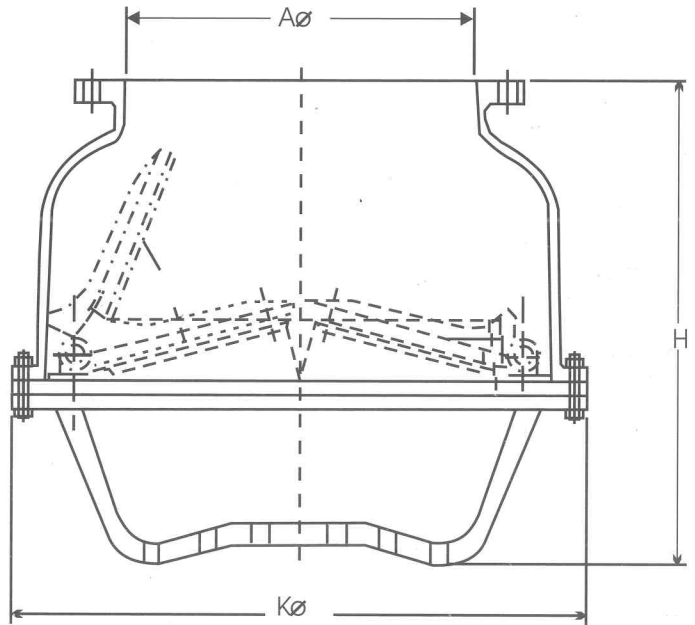
END CONNECTIONS

Availability	Flange Drilling Standard
Standard Supply	<ul style="list-style-type: none">• IS: 1538, Table 4 & 6.
Optional	<ul style="list-style-type: none">• BS 10, Table D/E/F• BS EN 1092.2(BS 4504), PN 6, PN 10, PN 16• ANSI B16.1/ANSI B16.5• IS : 6392

OUTLINE DIMENSIONS



**VIEW FOR VALVE SIZES
UPTO & INCLUDING 150 mm**



**VIEW FOR VALVE SIZES
UPTO 200 mm & ABOVE**

Valve Size (A Dia.)	H Approx.	K Dia. Approx.	No. Of Doors
50 mm	150	122	1
65 mm	185	136	
80 mm	205	161	
100 mm	225	165	
125 mm	245	212	
150 mm	310	290	
200 mm	405	436	2
250 mm	490	478	
300 mm	532	553	
350 mm	636	665	
400 mm	691	740	
450 mm	691	740	

All dimensions are in mm.

As we are constantly endeavouring to improve the performance of our products/equipment, we reserve the right to make alterations from time to time and as such our products/equipment may differ from that detailed in this publication. For latest information you may get in touch with our Regional Sales Office.



Enriching Lives

KIRLOSKAR BROTHERS LIMITED

WORKS : Kondhapuri, Gat # 252/2 + 254/2,

Tal : Shirur, Pune-412208

Phone : (02137) 270116/ 270140

Fax : (02137) 270117

Email : kirloskarvalves@kbl.co.in

CORPORATE OFFICE :

Udyog Bhavan, Tilak Road, Pune - 411 002 (India)

Phone : (020) 2444 0770

FAX : (020) 2444 0156

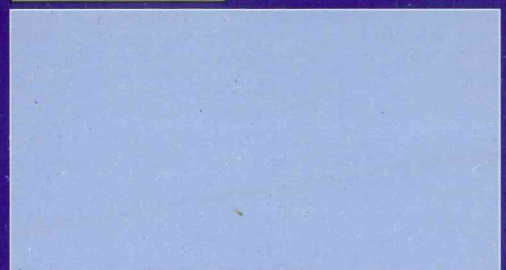
Email : kblin@kbl.co.in

Web Site : www.kbl.co.in, www.kirloskar.com

Enquiries may be directed to the nearest Regional Sales Office.

India : Ahmedabad, Bangalore, Baroda, Bhubaneswar, Chennai, Jaipur, Kochi, Kolkata, Lucknow, Mumbai, Nagpur, New Delhi, Pune, Ranchi, Secunderabad.

Overseas : Ajman, Cairo, Frankfurt, Johannesburg, Nairobi, Phnom Penh, UAE, USA, Vientiane



KIRLOSKAR BROTHERS LIMITED